



Tooling up for Customised Robotic Automation

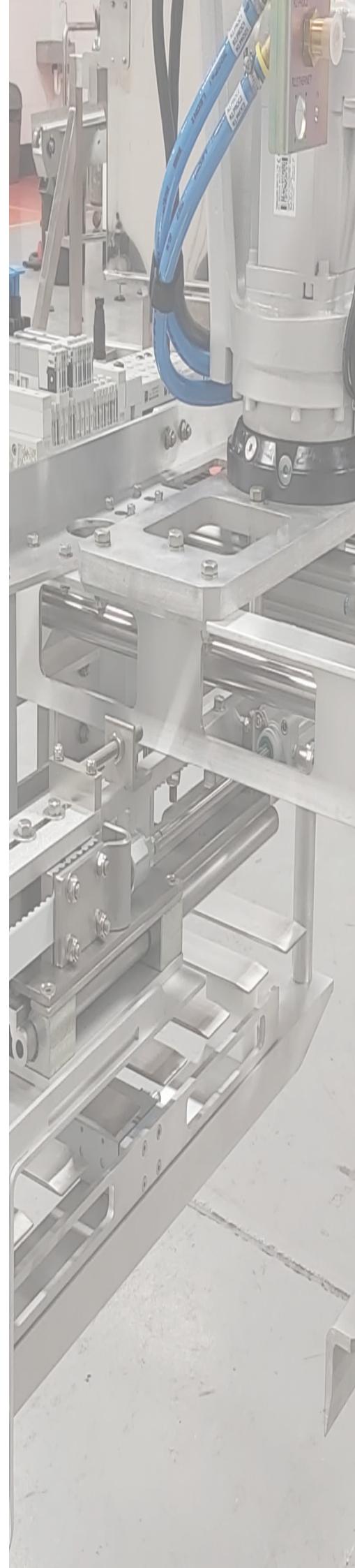
CKF Systems, a leading robotics and automation solutions provider that has been serving the food, manufacturing and logistics industries for over 30 years, recognise and understand the need for correct tool selection and have vast experience in innovative tooling design to support their robotic automated systems.

The very latest industrial robot technology from global manufacturers provides a plethora of choice to end-users for articulated arm robots, with regard to quality of build, numbers of axis, operational environments, specification, reliability, performance and commercial advantage. Modern robot development has provided the industry with proven, reliable, non-dedicated automation, capable of being re-purposed and re-programmed to meet future demands when necessary.

The decision for robot selection is inherently a primary process prior to committing to the investment in automation of a clients' process. Of equal importance however (some may argue, of greater importance), is the interface between the industrial robot and the work object for the successful implementation of robotic automation. The tool interface can take numerous forms dependant on the task to be undertaken. Proprietary grippers and vacuum pads make up a large part of standard palletising tooling, but there is also an industry requirement for bespoke applications where the use of standardised tooling does not meet the specific needs of customised applications. The correct design and build of the interface between the robot and the work piece has to be resolved and be dealt with correctly. The right tooling solution will determine that the system as a whole will perform efficiently and that the investment, through the implementation of robotic automation, can be fully realised.

An example where CKF has designed and supplied a range of special purpose robot tools is for one of our long-standing confectionery customers. The client approached CKF to develop a robotic automated system for tipping confectionery products into a hopper in readiness for final packaging. The confectionery product was held in open plastic trays, multiple, twin stacked on a plastic pallet.

To meet the specified tray throughputs, CKF undertook a complete design review and whilst the column stacked trays nested well, the CKF team recognised the practical challenges with the presentation of the stacks to the robotic automation. Tray and stack tolerancing, environmental conditions (with the presence of starch), product variants, pick axis datums and provision for stack compression all had to be considered. The CKF team decided that the tool would have built in, multi-function facilities which provides product presentation, conditioning, de-stacking, tipping and re-stacking capability all in the one tool assembly. Using both linear and rotary pneumatic actuators, the tool is able to position, grip (lower trays), de-nest the full tray, tip and position (lower tray stack) and re-stack the empty tray. The ABB IRB 660 robot provided the load carrying capacity, axis accuracy and velocities required. Via the robot controller, the tool is sequenced and programmed to condition the tray stacks ready for picking two trays at a time and likewise for empty placement. A multiple tip option is made available to the operator to cater for the difference in product variants.

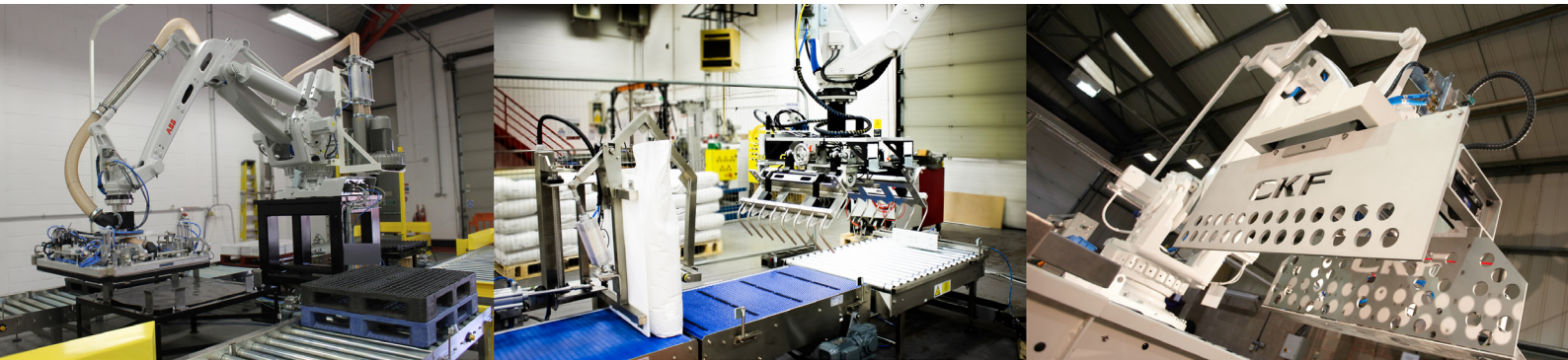


From delivery and commissioning of the first system CKF has now supplied the client with six production lines using the same robot automation and tooling philosophy on each line.

CKF systems have the multi-disciplined engineering team with a wealth of experience in robotic automation able to support their clients in the selection and design of standard and customised tooling applications. The depth of experience spans more than decade of collaborative customised tooling development, handling products in the food, automotive, pharmaceutical and logistic industries.

Further examples of the customised tooling; designed, built and supplied by the CKF Engineering team include:

- Case pallet de-topping and re-stacking tools for the frozen food industry, handling chilled cardboard cases and profiled freezer card layer separators using a single custom designed robot tool, with vision guidance
- Sack handling grippers for the pharmaceutical industry. Robust in construction, yet integrated and expertly designed into the CKF automated system to ensure safe and damage free handling of heavy but vulnerable plastic and paper bulk sacks
- Case, tray and open tote handling tools, designed for fit, function and compliance within the customers defined products and localised environment i.e restricted height operation where headroom negates the opportunity for standardised tooling, open totes, heavy products and challenging mixes of product palletising formats



Tooling designed for the UK egg producing industry, providing a suite of specialised tools for robot positioning and loading of shippers, bulkers and cases for the full range of egg case variants. CKF have a wealth of experience and knowledge within the industry. Our engineering resource is extremely capable in providing our clients with automated solutions to meet their planned business strategy. System design, manufacture and build is centred around our modern facility in Gloucester which affords us full technical and commercial control of the projects whilst providing robotic and automated solutions that are perfectly suited to our clients' unique operational needs.

Robots and automation are vital to ensure your business is more agile, productive, safer and cost-effective. Get in touch with us today at info@ckf.co.uk / www.ckf.co.uk / +44 (0)1452 728753 for a free quote, analysis and design on a no-obligation basis. CKF Systems also have a number of exciting new roles as a result of their recent success. For more information on the latest vacancies visit their website www.ckf.co.uk/recruitment

CKF Systems Limited

Pavilion 1, Olympus Park, Quedgeley, Gloucester GL2 4NF

+44 (0)1452728753

www.ckf.co.uk